

6 Digital Preset Scale Counter

MANUAL

Model: C3E

■ Features

- DIN(48X48mm) Digital counter
- Range 1 - 999999 with UP/DOWN mode, Max.10kpcs
- Preset scale range:0.001-99.999, preset scale count function
- MCU for digital control, High accuracy and reliability
- EEPROM store data for 10 years
- NPN and PNP input switchable
- 9.2mm height LED, prevent dazzle, highly visible display
- Tact switch for up or down set value, easily operate
- Key lock function, prevent mistake operation
- Switching power supply and low consumption

※Thank you very much for selecting SESTOS products, Please read and understand this MANUAL before using this unit.

■ Safety Precautions

- ⚠ This product must be mounted on the panel, a void electric shock.
- ⚠ When the power is turned on, is not connecting the terminal, avoid electric shock.
- Ensure the product within the specification.
- Never disassemble, repair or modify the product, if needed please contact agent or us
- Do not use the product in locations subject to gases, dust, vibration, corrosive direct sunlight, water and oil, strong EMI

■ Specification

- Power and input: The power supply and input circuit are isolated.
- Voltage(Ordering): AC 100-240V ±10% 50/60Hz ≤5VA
AC/DC 12-24V ±10% ≤4VA
- Character : PV: 6 digital 9.2mm height, high light red LED
SV: 6 digital 7.0mm height, high light green LED
- Contact output(C3E-R): AC 250V 3A(Resistive load) NO/NC
- SSR output(C3E-V): DC12V(Max.40mA)
- Life expectancy: Mechanical: 10,000,000 operations min.
Electrical: 100,000 operations min.
- Max. counting speed: 10kpcs(Rate 1:1), 100Hz, 5KHz, 10KHz
- Preset scale range: 0.001-99.999
- Data backup: 10 years, Data can be store or not by setting
- Control signals: ≥5ms (Reset, Gate)
- Control/Input type: Contact/No-voltage input(NPN)/ Voltage input(PNP)
- Input level: High(logic) 4.5 to 30 VDC
Low(logic) 0 to 2.0 VDC
- External power: DC 12V/50mA(Max.) for sensor use only.
- Start timing: ≥100ms
- Reset method: Power on/External/Manual
- Reset timing: 45X45 mm
- Cut out size: Flush mounting and screw terminals
- Mounting Method: Approx. 120g
- Weight: Operating: -10~55°C (with no icing or condensation)
- Ambient temperature: Storage: -25~65°C (with no icing or condensation)
- Ambient humidity: 35~85% RH

■ Nomenclature

- MD: Mode
- RST: Reset
- ⤴: Up
- ⤵: Down
- PV: Present Value
- SV: Set Value

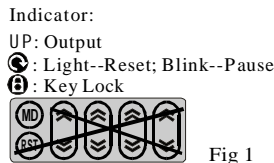
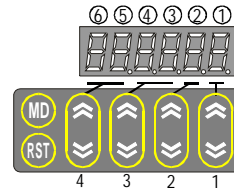
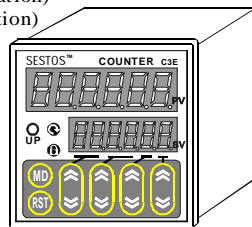
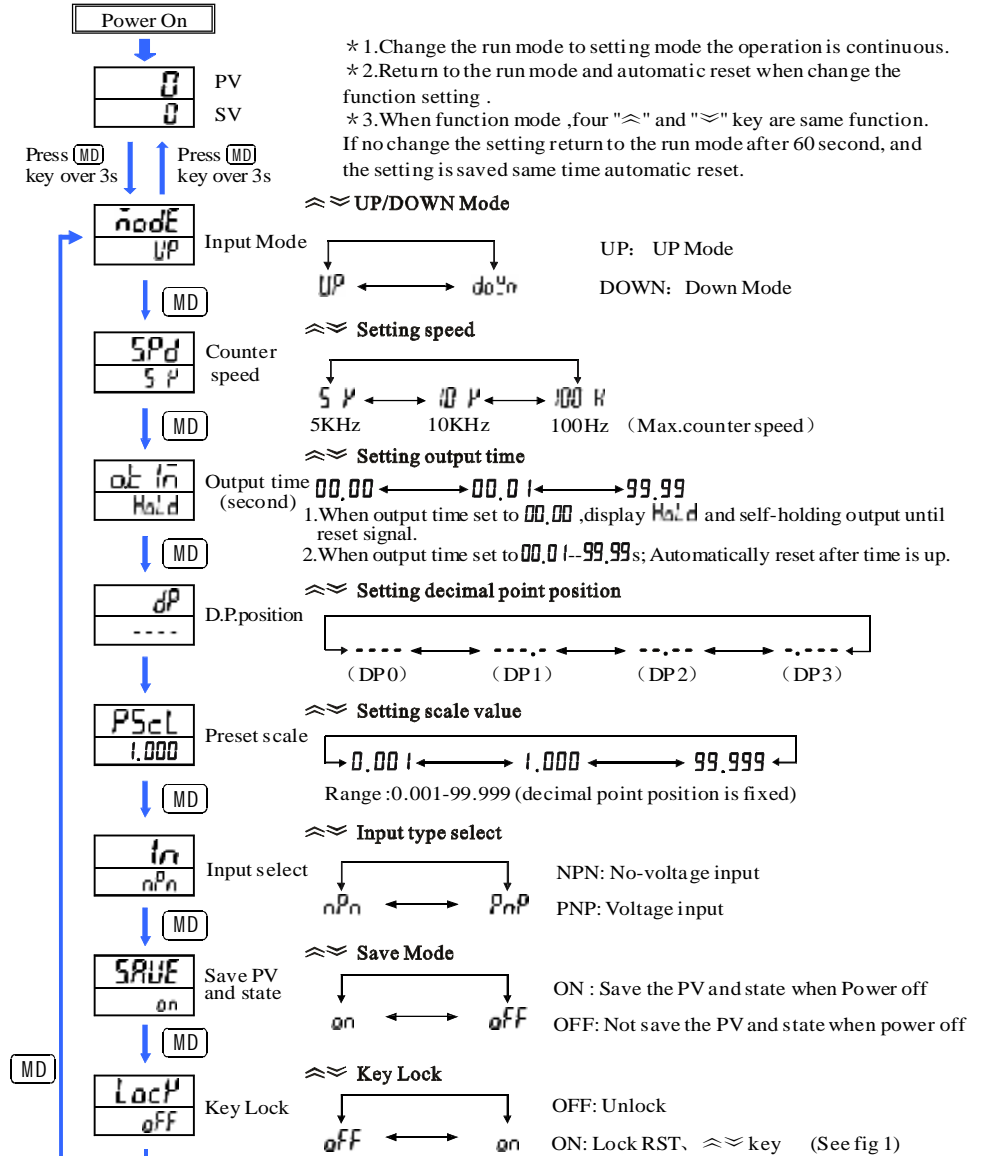


Fig 1



- Group 1 ⤴ key: setting digital ①
- Group 2 ⤵ key: setting digital ②
- Group 3 ⤴ key: setting digital ③④
- Group 4 ⤵ key: setting digital ⑤⑥

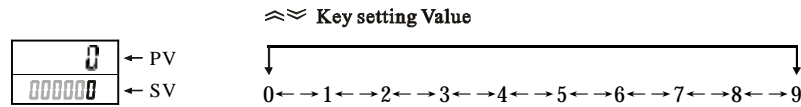
■ Setting



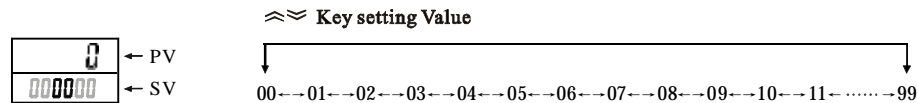
Run Mode

When press \approx or \cong key, the blink in SV. Press or push the \approx or \cong key for value setting.
After, push **[MD]** return to run mode. If no any change, return to the run mode after 30 second, and the setting is saved same time automatic reset.

Digital ①、② setting method



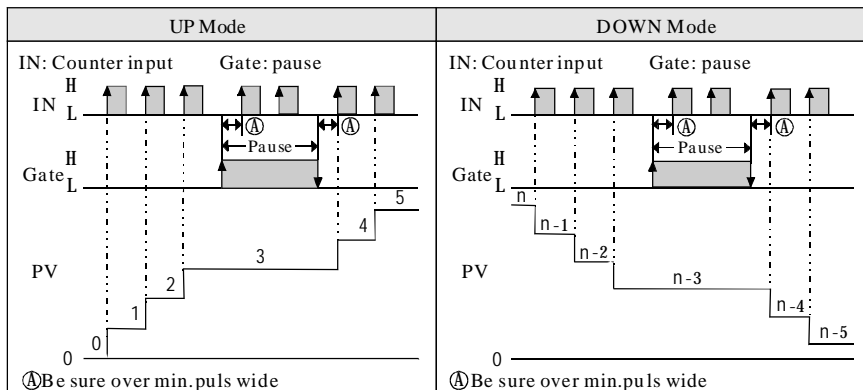
Digital ③、④、⑤、⑥ setting method



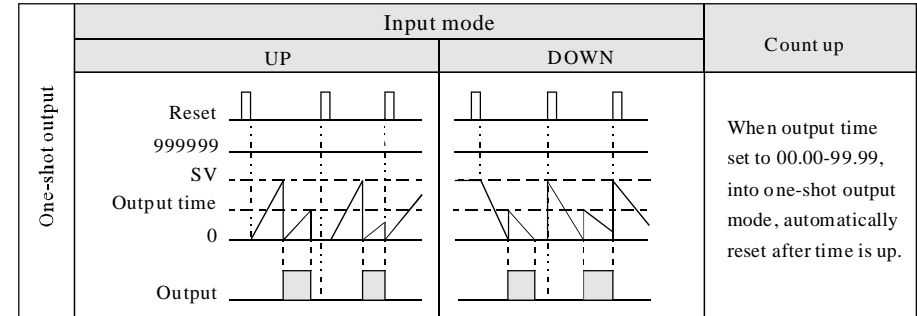
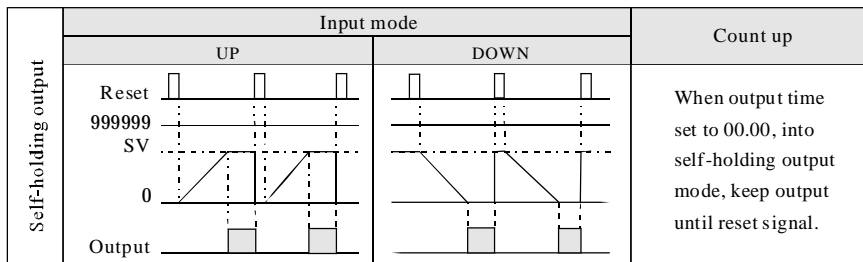
Press group 3 key for digital ③、④ setting from 00 -- 99.
Press group 4 key for digital ⑤、⑥ setting from 00 -- 99.

Operation Charts

Input and count charts

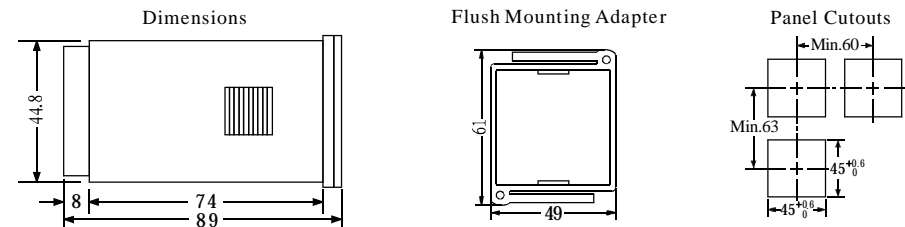


Input and output charts



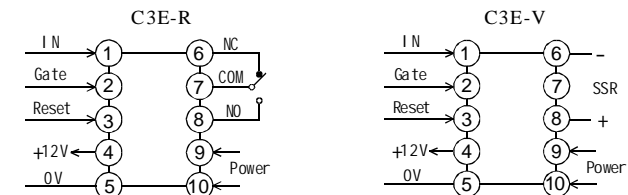
Remark: 1.PV=PScl X Input pulse
2.If SV=0,as a total counter be used.

Dimensions with Flush Mounting Adapter



※All units are in millimeters unless otherwise indicated.
※Flush mounting adapter: YX-Y1 (Provided)

Terminal Arrangement



※+12V(Max.50mA) for sensor use only

Precautions

- Separate the input signal cables from the power line.
- Short connecting wire from the sensor to the product is the best, if not please using shield cable.
- Use and store the product within the ratings specified for temperature and humidity
- The period of power off to on must be over 1 s, Suggestion use terminal for reset

※Specifications and design subject to modifications without notice

SESTOS (H.K.) ELECTRONICS CO.

<http://www.sestos-hk.com>

E-mail:sestos@sestos-hk.com

MN-C3E-EN